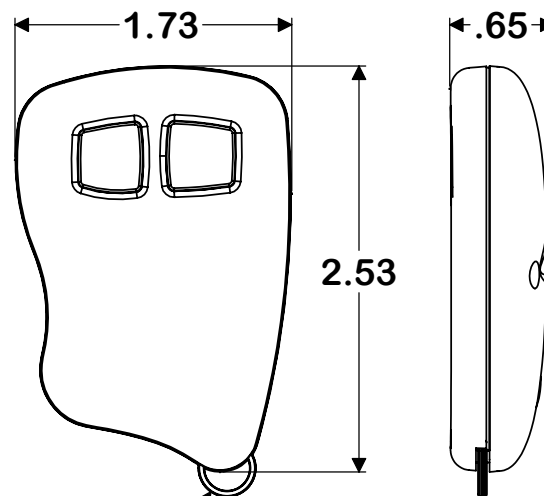
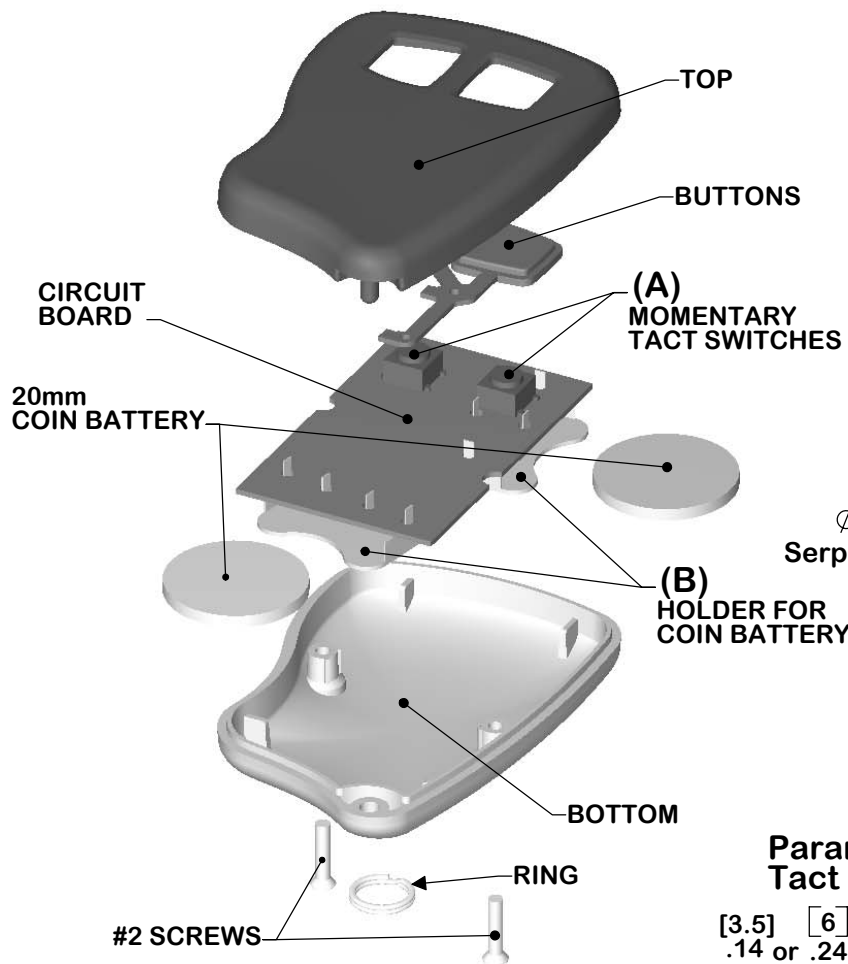
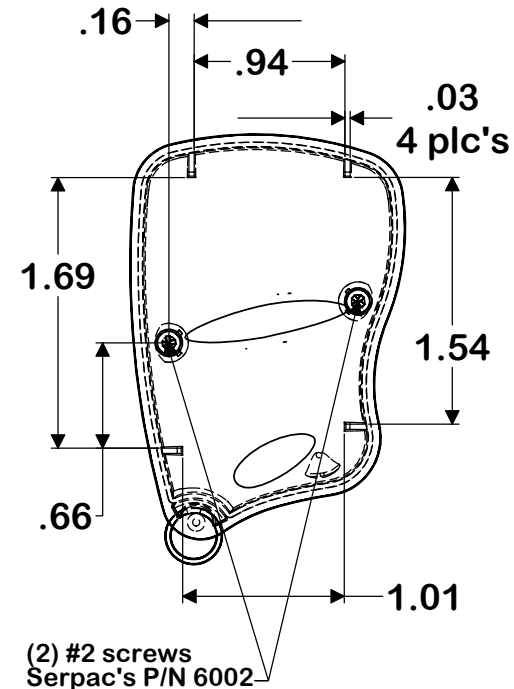
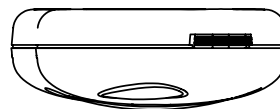


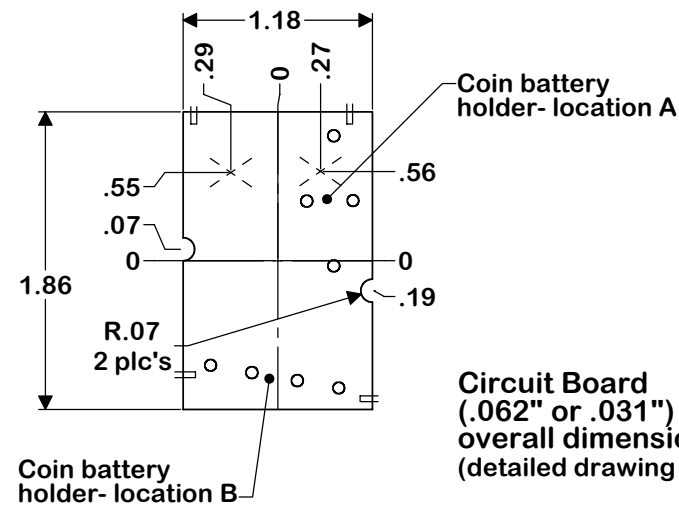
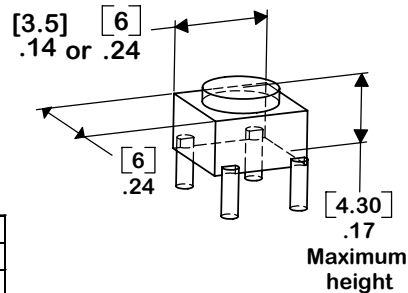
## CA4,2 (2 button option)



Ø .36 Ring  
Serpac's P/N KRL



### Parameters for Tact Switch [mm]



Circuit Board  
(.062" or .031") thickness  
overall dimensions  
(detailed drawing available)

### NOTES:

1) Serpac Provides the following components:  
Top, Bottom, Buttons, (2) #2 Screws and a Ring  
All Components are shipped unassembled.

2) The following components fit this enclosure.

	Manufacturer	PN option I	PN option II
A	OMRON	6mm type: B3F-1000, B3F-1002, B3F-1020	
A	PANASONIC	6mm EVQ-P1D05M, EVQ-PAG04M, EVQ-PAE04M	6 X 3.5mm type: EVQ-PJA04Q, EVQ-PJA05Q, EVQ-PJB04K
Other switches manufacturers and types will fit the unit. Please see parameters for Tact Switch sketch.			
B+	KEYSTONE	3003 positive	
B-	KEYSTONE	2990 negative	

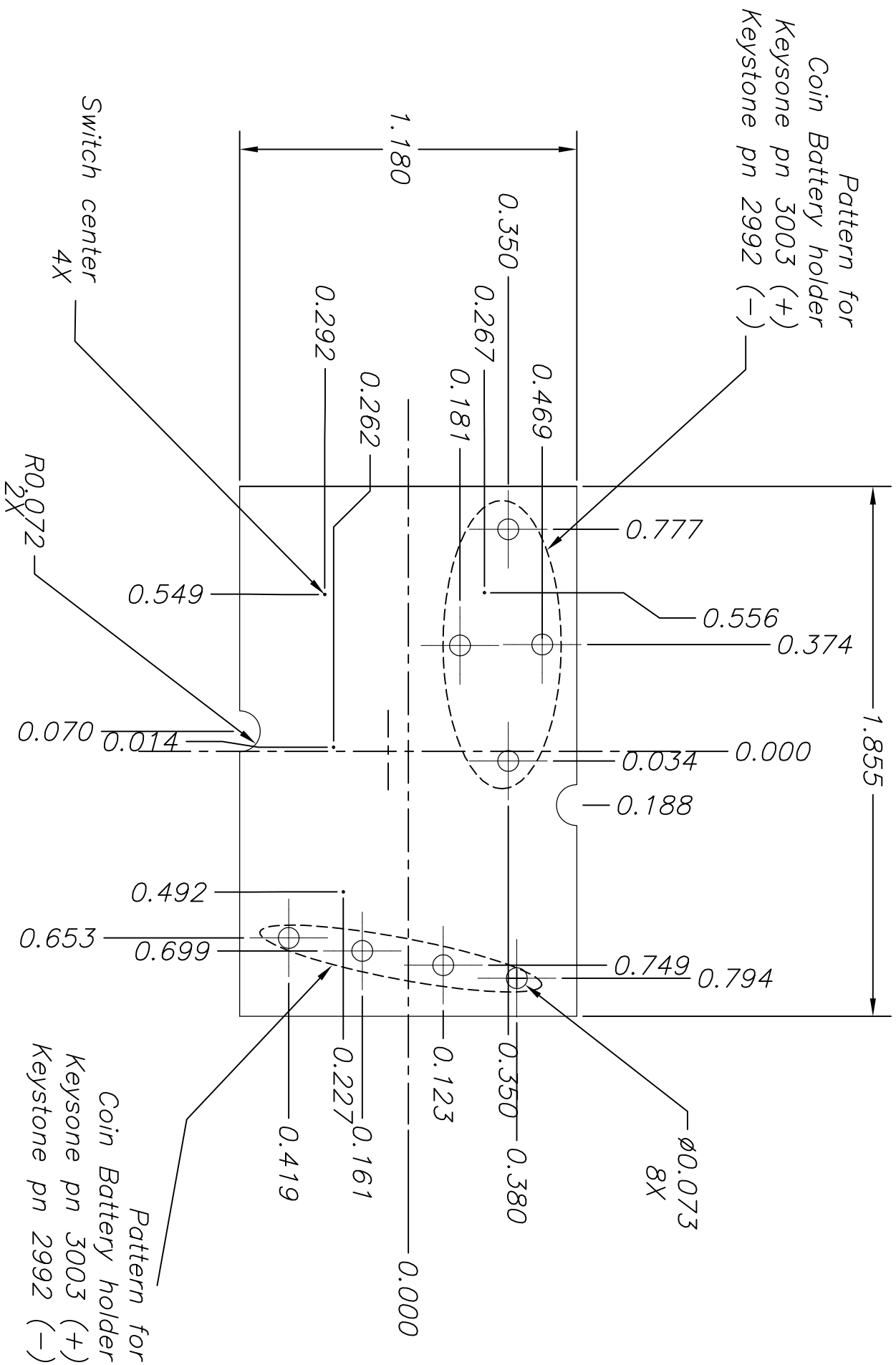
5/07/04

ALL DIMENSIONS ARE ± .010"

619 Commercial Ave. Covina, CA 91723  
(626) 331-0517 Fax (626) 331-8584 www.serpac.com.

# SERPAC CIRCUIT BOARD CA4

Electronic Enclosures



**NOTES:**

Not a Stocked item.

05-2008

RevA

New print.